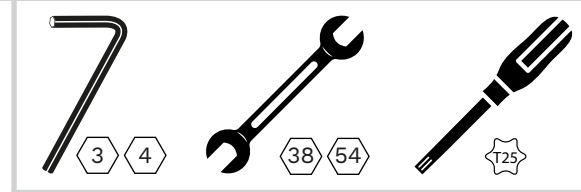
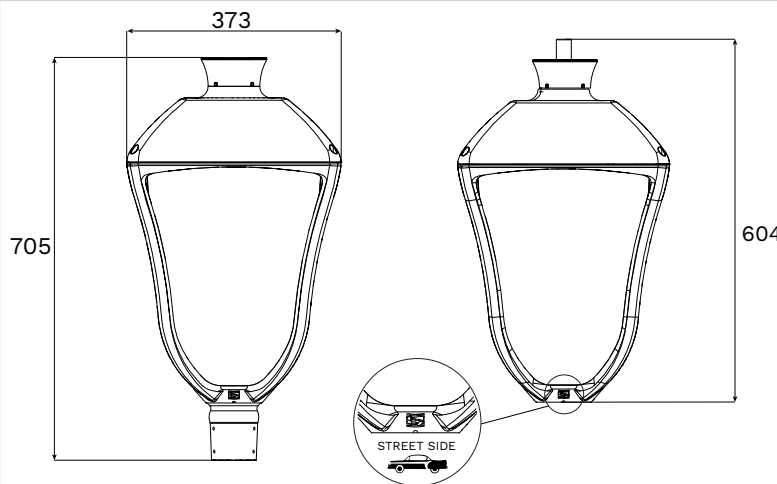


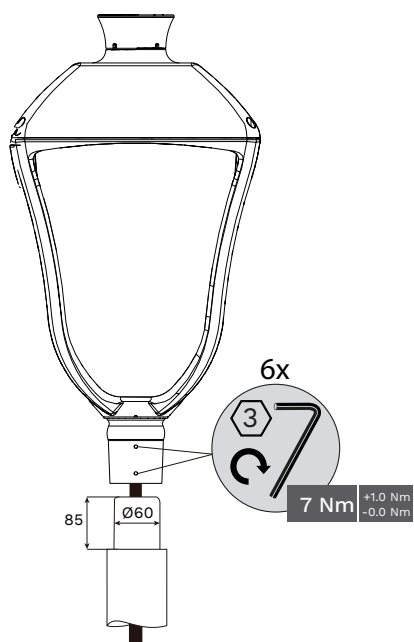
Schröder STYLAGE

| | | | | | | | | | |
|-----|---------------------------|-----|------------------------------|-----|--------------------------|-----|---------------------------|-----|----------------------|
| ENG | INSTALLATION INSTRUCTIONS | ITA | ISTRUZIONI DI INSTALLAZIONE | NLD | INSTALLATIE INSTRUCTIES | DAN | INSTALLATIONSVEJLEDNING | HUN | TELEPÍTÉSI ÚTMUTATÓ |
| DEU | INSTALLATIONSANLEITUNG | POL | INSTRUKCJE MONTAŻU | RUS | Инструкции по установке | RON | INSTRUCȚIUNI DE INSTALARE | CHI | 安装说明 |
| FRA | INSTRUCTIONS DE MONTAGE | SPA | INSTRUCCIONES DE INSTALACIÓN | POR | INSTRUÇÕES DE INSTALAÇÃO | SWE | INSTALLATIONSANVISNING | UKR | Інструкції з монтажу |
| SRP | UPUTSTVA ZA INSTALACIJU | ARA | تعليمات التركيب | | | | | | |

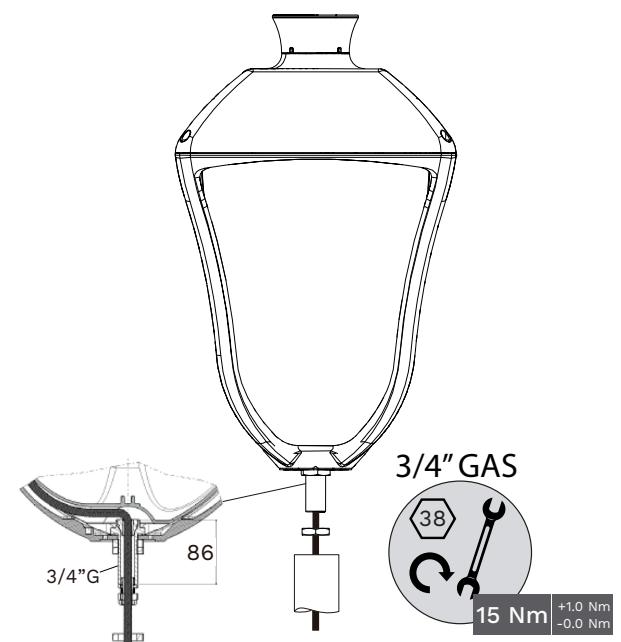


FIXATION

A Post Top Ø60



B Post Top 3/4" Gas



Torque control



Visual control

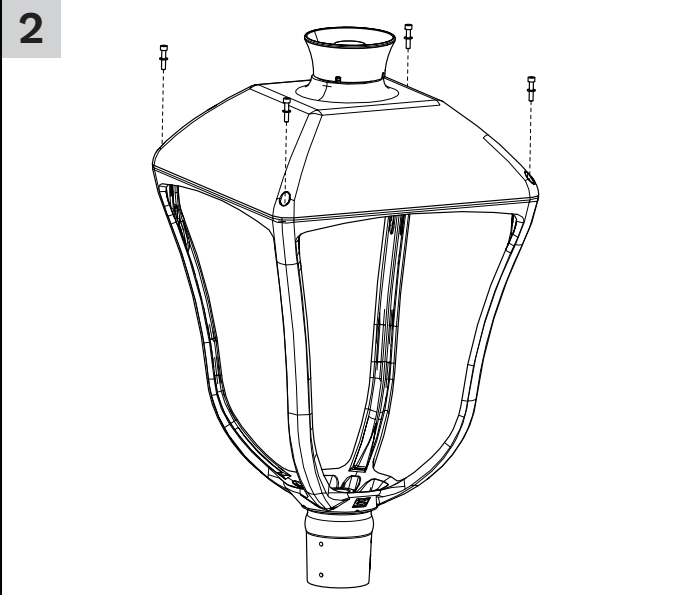
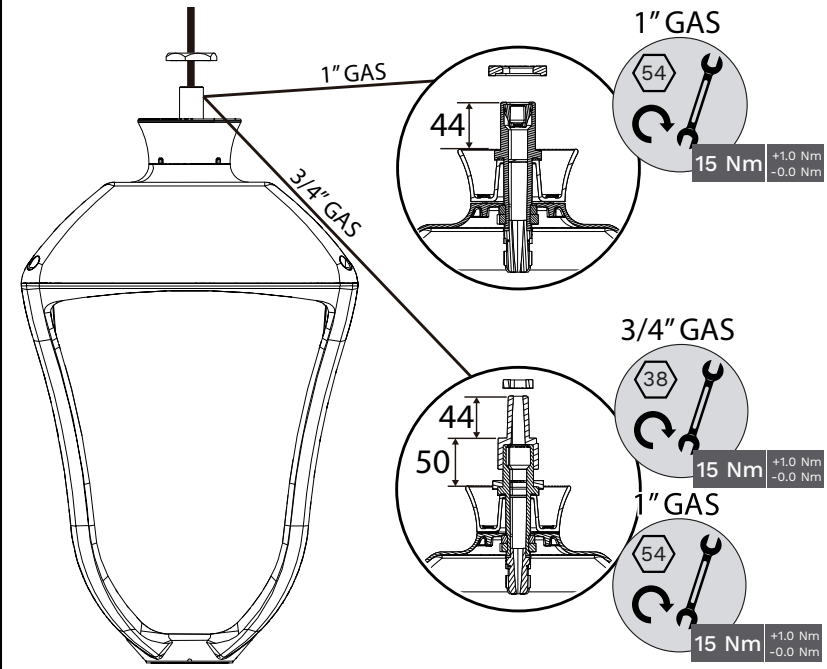
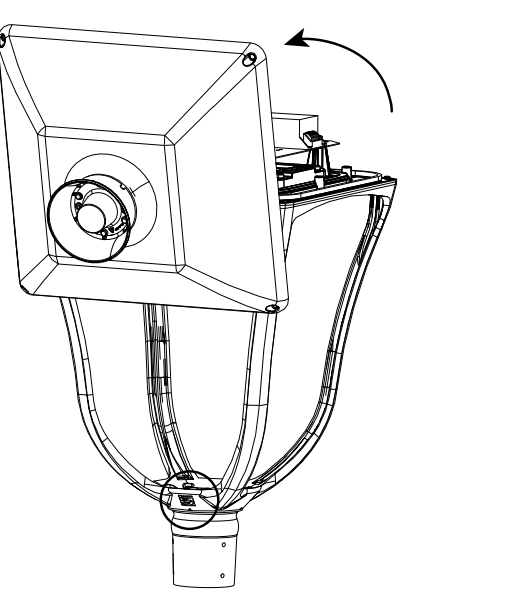
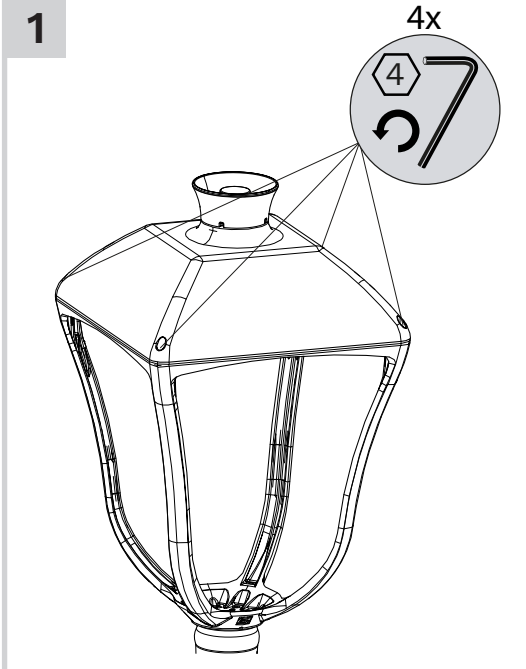


Assembly operation

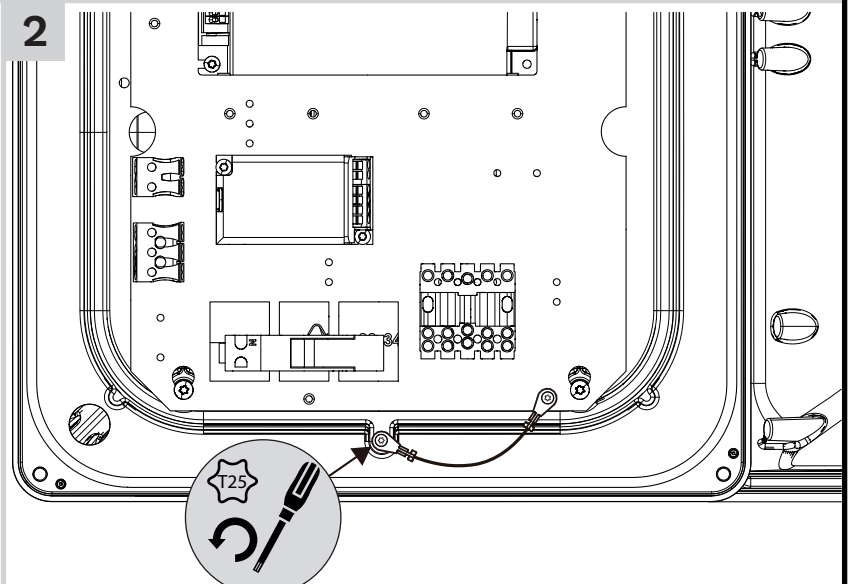
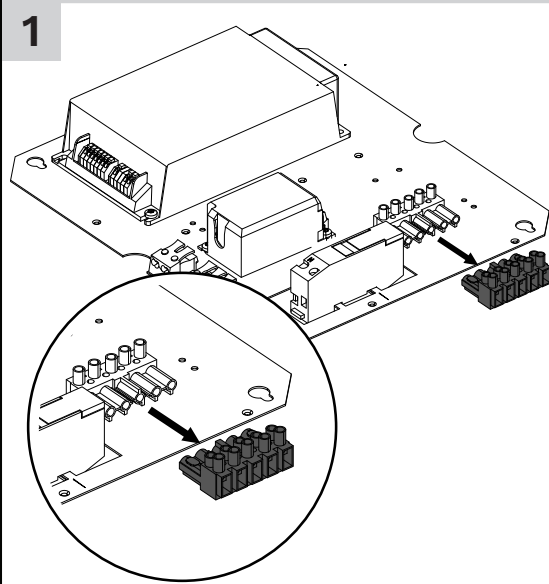
Copyright © Schröder S.A. 2023 - Executive Publisher: Stéphane Halleux - B-4000 Liège - Rue de Mons 3 (Belgium) - The information, descriptions and illustrations herein are only of an indicative nature and subject to changes without notice.

C Suspended

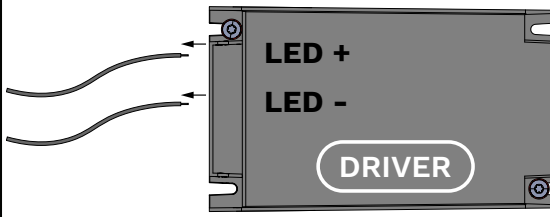
⚠️ ⓧ ⚡ OPENING



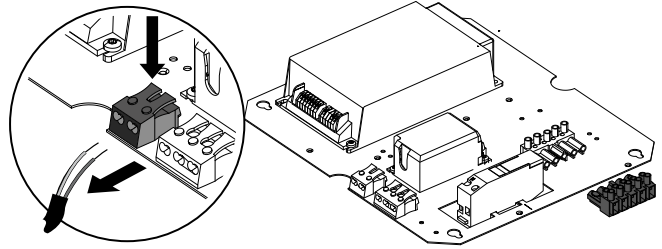
MAINTENANCE - ACCESS GEAR COMPARTMENT



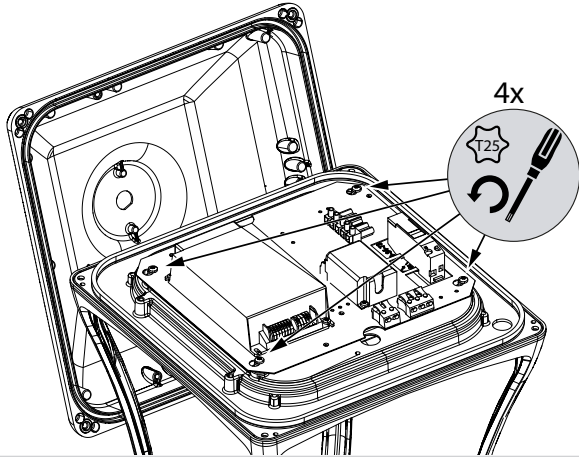
3



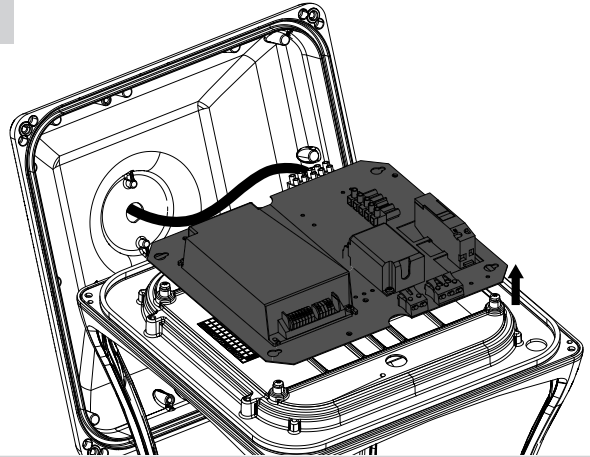
4 IF LG DRIVER



5

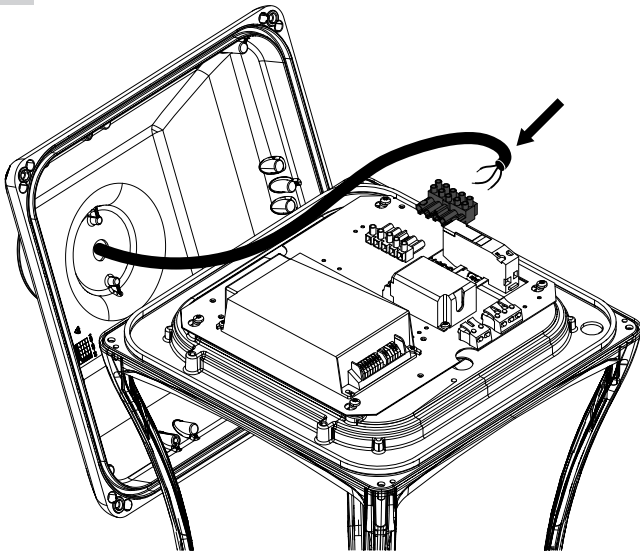


6

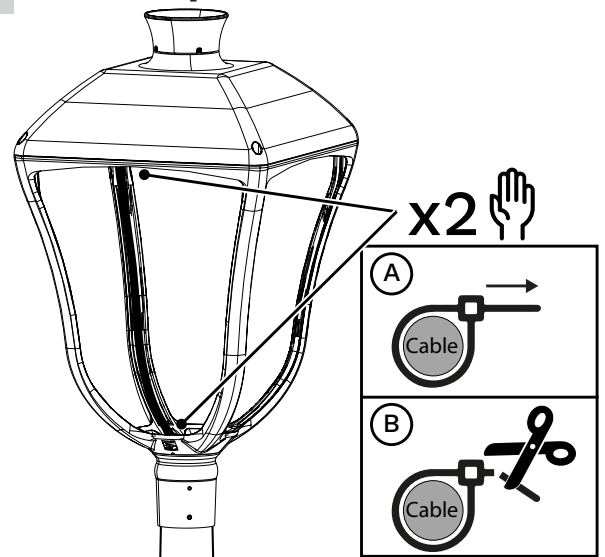


CONNECTION - IF NO MAIN CABLE

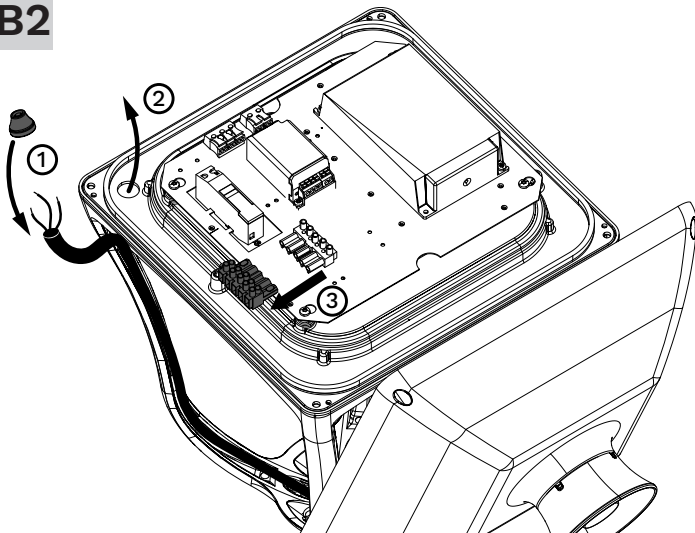
A Suspended



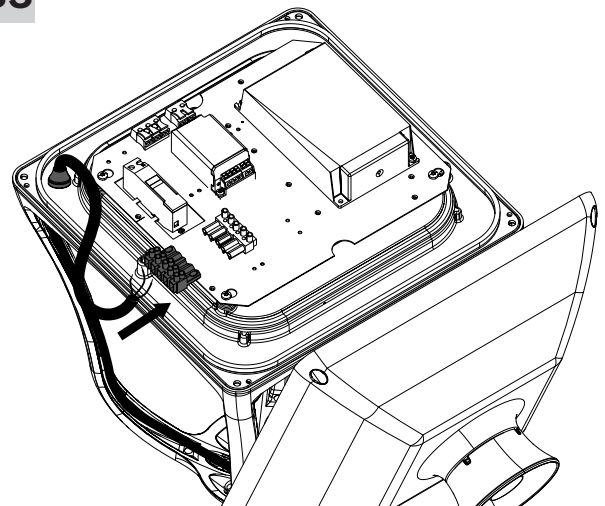
B1 Post Top



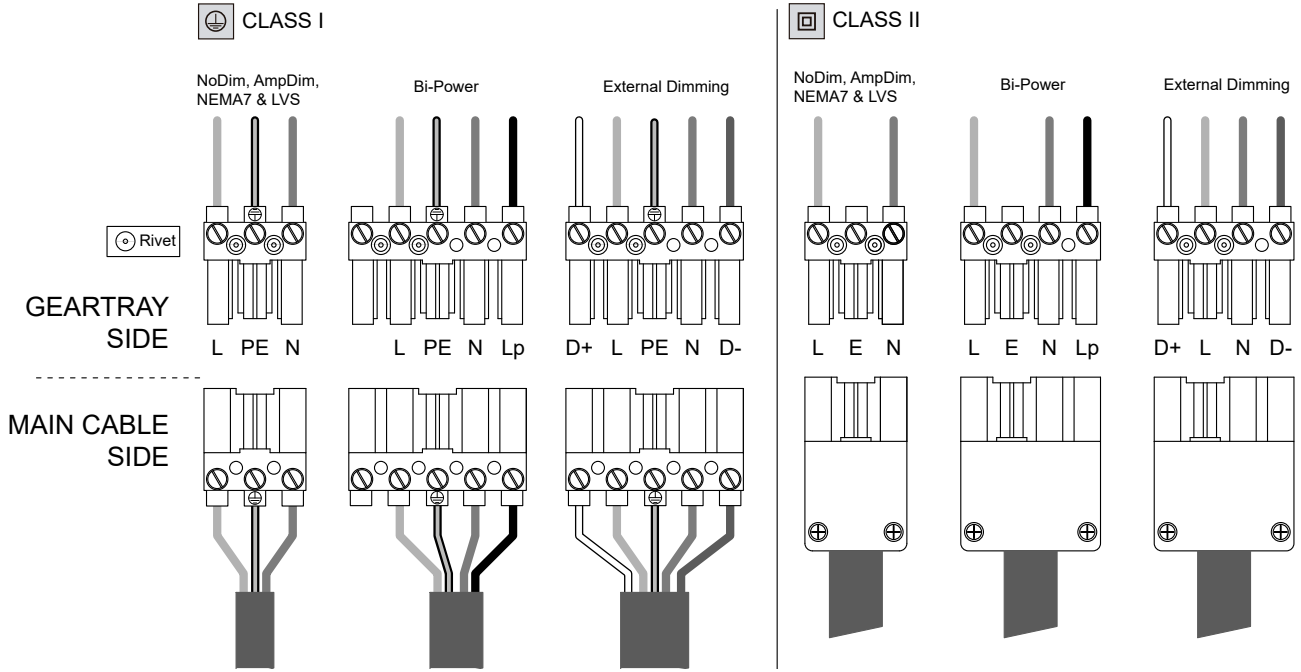
B2



B3



CONNECTION - NO MAIN CABLE SUPPLY



Dim

Bi-Power
Switching line



No Dim

